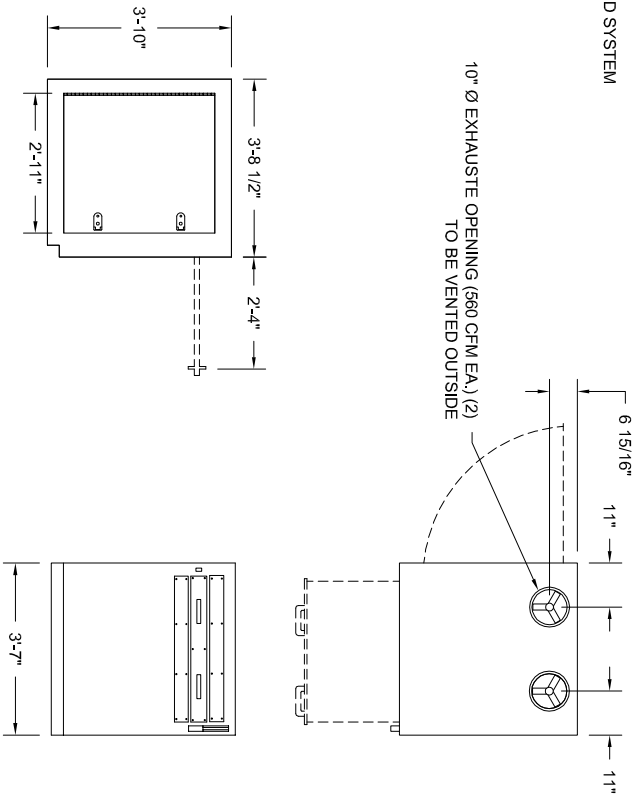


LEFT HAND SYSTEM



RIGHT HAND SYSTEM

- REFERENCES AND REVISIONS -

REV. NO.	DATE	DESCRIPTION	REMARKS	BY:

HANCO INTERNATIONAL
 DIVISION OF THE HANNON COMPANY
 1605 WAVERSBURG DR. SE
 CANTON, OHIO, U.S.A. 44707
 PH: 330/456-4728 FAX: 330/456-3323

TITLE:
36" MAX 1-DRAWER BLANKET TESTER

DATE: **2-24-1988** SCALE: **1/4" = 1'** SHEET: **1 OF 1**

DRAWN BY: **RW** SERIES: **DA** DRAWING NO.: **A8118**

NOTE: TESTER MUST BE SLAVED TO POWER
 PANEL WITH 40PSI MINIMUM AIR SUPPLY.

APPROX. SHIPPING WEIGHT: 600 LBS.

This drawing is proprietary information and considered intellectual property of Hanco International. Unauthorized reproducing, electronic transmission, or distribution without written authorization of Hanco International is prohibited.