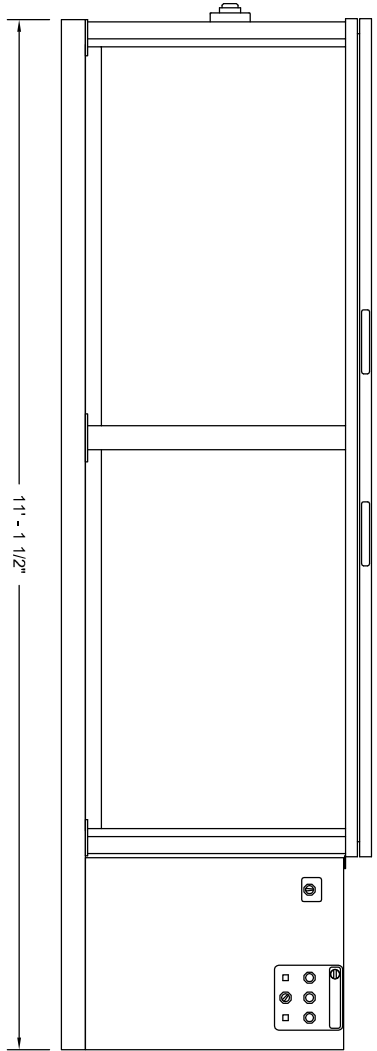
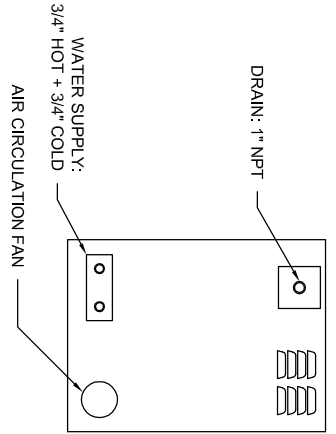


PLAN VIEW

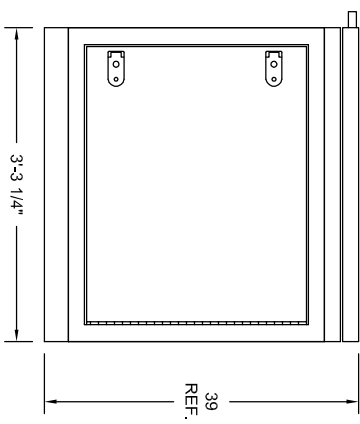


FRONT VIEW

	<b>AW824</b>	<b>AW830</b>
WEIGHT:	2900 LBS.	2900 LBS.
CAPACITY:	150 LBS.	200 LBS.
DRUM DIMENSIONS:	96" LONG X 24" DIA.	96" LONG X 30" DIA.



REAR VIEW (CONTROL PANEL)



SIDE VIEW

**- REFERENCES AND REVISIONS -**

REV.	DATE:	REMARKS:	BY:
A	12-16-1999	UPDATED DIMENSIONS AND SPECIFICATIONS	SJP
B	7-19-2006	UPDATED DIMENSIONS AND SPECIFICATIONS	TRW

This drawing is proprietary information and considered intellectual property of Hanco International. Unauthorized reproducing, electronic transmission, or distribution without written authorization of Hanco International is prohibited.

**HANCO INTERNATIONAL**  
 DIVISION OF THE HANNON COMPANY  
 1605 WAINESBURG DR., SE  
 CANTON, OHIO, U.S.A. 44707  
 PH: 330/456-4728 FAX: 330/456-3323

TITLE: **HANCO MODEL AW824/AW830  
 AUTOMATED RUBBER GOODS WASHER  
 DIMENSIONAL DRAWING**

DATE: **2-27-1999** SCALE: **1/2" = 1'** SHEET: **1 OF 1**  
 DRAWN BY: **TERRY BAST** SERIES: **DA** DRAWING NO.: **A9052**